



NU 306 ECML

- SKF Explorer

Cylindrical roller bearings, single row

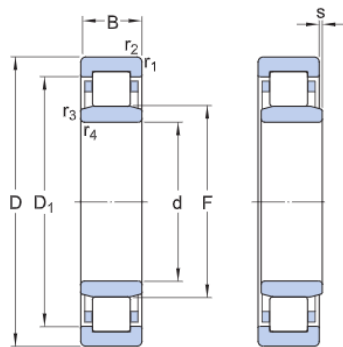
Bearing data

[Tolerances](#),
Normal (metric), P6, Normal (inch),
[Radial internal clearance](#),
cylindrical bore, tapered bore,
[Axial internal clearance](#),
NUP, NJ + HJ

Bearing interfaces

[Seat tolerances for standard conditions](#),
[Tolerances and resultant fit](#)

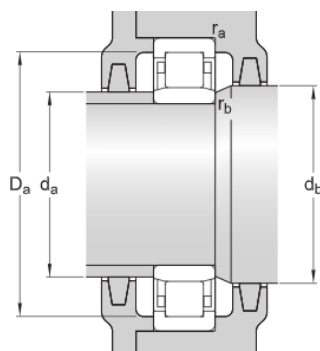
Technical specification



DIMENSIONS

| | | |
|------|------------|--|
| d | 30 mm | Bore diameter |
| D | 72 mm | Outside diameter |
| B | 19 mm | Width |
| D1 | ≈58.85 mm | Shoulder diameter of outer ring |
| F | 40.5 mm | Chamfer dimension of loose flange ring |
| r1,2 | min.1.1 mm | Chamfer dimension |
| r3,4 | min.1.1 mm | Chamfer dimension |
| s | max.1.4 mm | Permissible axial displacement |

ABUTMENT DIMENSIONS



| | | |
|----|-------------|------------------------------|
| da | min.37 mm | Diameter of spacer sleeve |
| da | max.39 mm | Diameter of spacer sleeve |
| db | min.43 mm | Diameter of shaft abutment |
| Da | max.65.1 mm | Diameter of housing abutment |
| | max.1 | Radius of |

| | | |
|----|-------------|---------------------|
| ra | mm | fillet |
| rb | max.1 mm | Radius of fillet |

CALCULATION DATA

| | | |
|---------------------------|----------------|--------------|
| Basic dynamic load rating | C | 58.5 kN |
| Basic static load rating | C ₀ | 48 kN |
| Fatigue load limit | P _u | 6.2 kN |
| Reference speed | | 11 000 r/min |
| Limiting speed | | 19 000 r/min |
| Minimum load factor | k _r | 0.23 |
| Limiting value | e | 0.2 |
| Axial load factor | Y | 0.6 |

MASS

| | |
|------|--------|
| Mass | 0.4 kg |
|------|--------|

ASSOCIATED PRODUCTS

| | |
|------------|-----------|
| Angle ring | HJ 306 EC |
|------------|-----------|